

IF YOU'VE OPENED THIS BOX FIRST, READ THIS . . .  
BEFORE OPENING THE OTHER BOX. CHECK OFF THESE PARTS BEFORE  
UNPACKING THE OTHER BOX OF PARTS.

This is one of two boxes for Real Good Toys' FIRST  
LADY. It is the largest of the two and weighs 46 lbs.  
Below is a packing list of the parts you should find in  
this box, Use it to check and see if you have them all.  
If not, call our "Hot Line" toll-free at 1-800-451-4268, and  
let us know which part you are missing. We will rush it to  
you. At Real Good Toys, your satisfaction is our most  
important goal.

Box 1 of 2 - Parts List - THE FIRST LADY

First of all, The instructions are in the other box!

3 Floor Panels 20 x 31-1/8  
1 Right Front Panel 19-1/8 x 20  
1 Roof Top Panel 10-3/8 x 20  
1 Left Side Panel 19-5/8 x 20  
4 Tower Floor Panels 9-5/8 x 9-5/8  
1 Right Side Panel 15-3/8 x 19-5/8  
1 Porch End Panel 4-5/8 x 19-1/8  
1 Left Front Panel 11-7/8 x 29-11/16  
1 Extension Roof Top 6-7/16 x 12-5/8  
1 Attic Partition 6-7/8 x 12-1/8  
1 Tower Front 10 x 29-1/4  
1 Tower Side 9-5/8 x 29-1/4  
4 Large Dividers 9-1/4 x 15  
1 Parallelogram 14-1/2 x 19-3/4  
1 Extension Front 10 x 16  
3 Tower Vertical Trim Strips 7/8 x 29-5/32 x 1/8  
1 Tower Vertical Trim Strip 3/4 x 29-5/32 x 1/8

3/81

THE FIRST LADY

Box 2 of 2

IF YOU'VE OPENED THIS BOX FIRST, READ THIS . . .  
BEFORE OPENING THE OTHER BOX. CHECK OFF THESE PARTS BEFORE  
TAKING THE PARTS OUT OF THE OTHER BOX.

This is one of two boxes for Real Good Toys' FIRST LADY. This is a packing list of the parts you should find in this box. Use it to check and see if you have them all. If not, call our "Hot Line" toll-free at 1-800-451-4268, and let us know which part you are missing. We will rush it to you. At Real Good Toys, your satisfaction is our most important goal.

First Lady - Parts List - Box 2 of 2      lbs.

1 Set of Instructions

- 1 Left Gable Roof Panel 12-9/16 x 21
- 2 Arched Room Dividers 9-9/32 x 11-1/8
- 1 Attic Partition 6-7/8 x 12-1/8
- 1 Right Roof Panel 11-5/8 x 20-1/4
- 1 Extension Front Roof Panel 8-5/8 x 15-3/4
- 1 Extension Side Panel 10 x 11-7/8
- 2 Extension Floor Panels 11-7/8 x 15-7/8
- 1 Right Gable Roof Panel 11-3/8 x 12
- 1 Tower, Right Side Panel 9-1/4 x 9-5/8
- 1 Extension Side Roof Panel 6-7/8 x 12-1/8
- 2 Wraparound Porch Panels 14-1/8 x 16-11/16
- 1 Wraparound Porch Front Roof Panels 6-9/16 x 18-1/2
- 1 Wraparound Porch Side Roof Panel 6-9/16 x 15-7/8
- 4 Tower Roof Panels 8-7/8 x 9-1/2

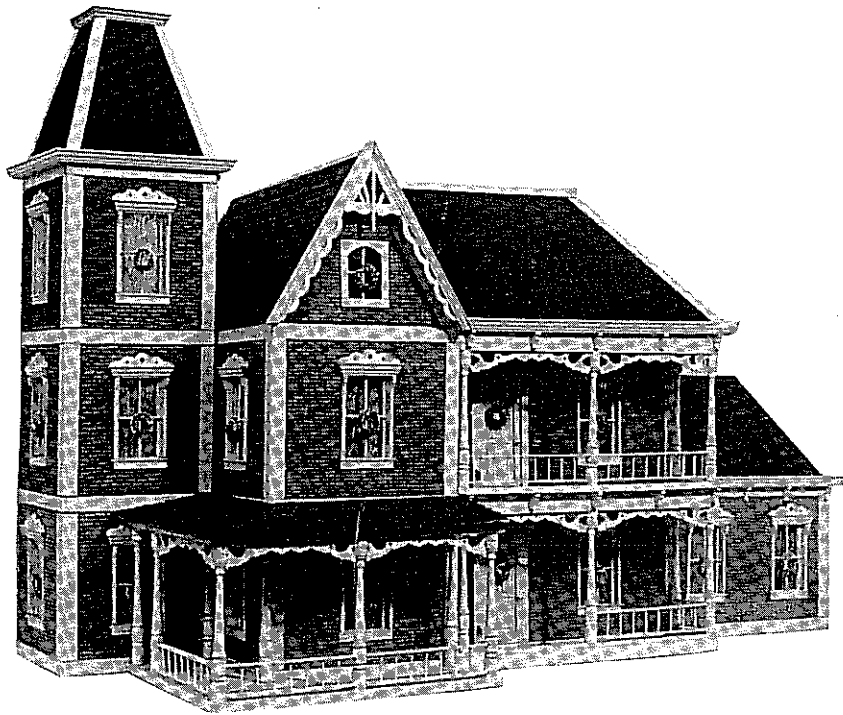
The following you will find packed together in packs, as noted on the left of each list of items:

- #1 1 Right Side Bottom Horizontal 7/8 x 2-1/8
- 4 Side Door Thresholds 7/8 x 3-1/16
- 2 Front Door Thresholds 7/8 x 4-1/8

- #2
- 2 Tower Right Side Verticals 7/8 x 8-5/8
  - 9 Tower Horizontals 7/8 x 8-5/16
  - 3 Left Side Horizontals 7/8 x 8-11/16
  - 3 Left Side Horizontals 7/8 x 10-1/4
  - 3 Right Extension Verticals 7/8 x 9-5/16
  - 1 Right Extension Vertical 3/4 x 9-5/16
  - 2 Right Extension Horizontals 7/8 x 10-5/16
  - 1 Right Gable Roof Top 3/4 x 10-1/16
  - 1 Right Roof Top 5/8 x 10-3/8
  - 1 Right Extension Side Roof Top 5/8 x 6-7/16
  - 1 Right Extension Left Front Roof 3/4 x 7-5/8
  - 1 Right Extension Right Front Roof Corner 3/4 x 8-3/4
  - 1 Right Extension Side Roof Corner 4/8 x 9
- #3
- 1 Left 7/8" Vertical 7/8 x 19-5/8
  - 1 Left 3/4" Vertical 3/4 x 19-5/8
  - 1 Right Side Vertical 7/8 x 19-9/16
  - 1 Right Side Top Horizontal 7/8 x 14-1/2
  - 2 Right Extension 7/8" Front Horizontal 7/8 x 14-5/32
  - 1 Left Roof Top 3/4 x 20-7/16
  - 1 Roof Valley 3/4 x 15-1/8
  - 1 Front Roof Top 5/8 x 19-5/16
  - 1 Front Roof Corner 3/4 x 15-1/4
  - 1 Right Side Roof Corner 4/8 x 15-1/4
  - 1 Right Extension Front Roof Top 5/8 x 12-3/4
  - 1 Eave 1 x 20
- #4
- 14 Vertical Mullions - Standard
  - 14 Horizontal Mullions - Standard
  - 2 Door Top Horizontals
- #5
- 2 Porch Rails - 9-1/4"
  - 6 Porch Rails - 8-5/16"
  - 4 Porch Rails - 7-3/4"
  - 4 Porch Rails - 3-7/16
- #6
- 4 Hinges
  - 2 Doorknobs
  - 16 Nails
- #7
- 1 Long Porch Gingerbread - 9-1/4"
  - 4 Long Porch Gingerbread - 8-5/16"
  - 2 Long Porch Gingerbread - 7-3/4"
  - 2 Long Porch Gingerbread - 3-7/16"
  - 2 Side Gable Gingerbread
- #8
- 14 Standard Windows - Plexiglass
- #9
- 1 Gingerbread Triangle = 2 short, 2 middle and 2 long pieces - all are packed in a bag.

- #10            26 Stair Dowels - Packed in a bag.
- #11            55 Rail Dowels - Packed in a bag.
- #12            16 Window Gingerbread
- #13            2 Bannisters  
                1 Left Eave  
                1 Right Eave
- #14            4 Tower Roof Corners  
                4 Tower Ledge Moldings
- #15            4 Tower Roof Cap Moldings
- #16            1 Front Roof Molding  
                1 Side Roof Molding
- #17            1 Right Extension Front Roof Molding  
                1 Right Extension Side Roof Molding
- #18            30 Large Cornice Moldings
- #19            28 Small Cornice Moldings  
                4 Door Horizontals  
                4 Chimney Dowels
- #20            4 Blank Columns  
                4 Columns - 2 notches for one rail
- #21            1 End Column - no notches  
                2 Middle Columns - 2 notches for one rail  
                2 Middle Columns - 4 notches (2 on each side) for 2 rails  
                3 Corner Columns - 4 notches (4 on one half) for 2 rails
- #22            28 Window Verticals
- #23            14 Window Sills  
                14 Window Bottom Horizontals
- #24            14 Window Window Top Horizontals (2 bundles of 7 each)
- #25            1 Gable Window Panel 2-7/16 x 3-5/16  
                1 Gable Window Top - Outside  
                1 Gable Window Top - Inside  
                2 Gable Window Sides - Outside  
                1 Gable Window Bottom - Outside  
                2 1/8" Inside Gable Window Side  
                1 1/8" Inside Gable Window Bottom  
                1 Vertical Gable Mullion  
                1 Horizontal Gable Mullion

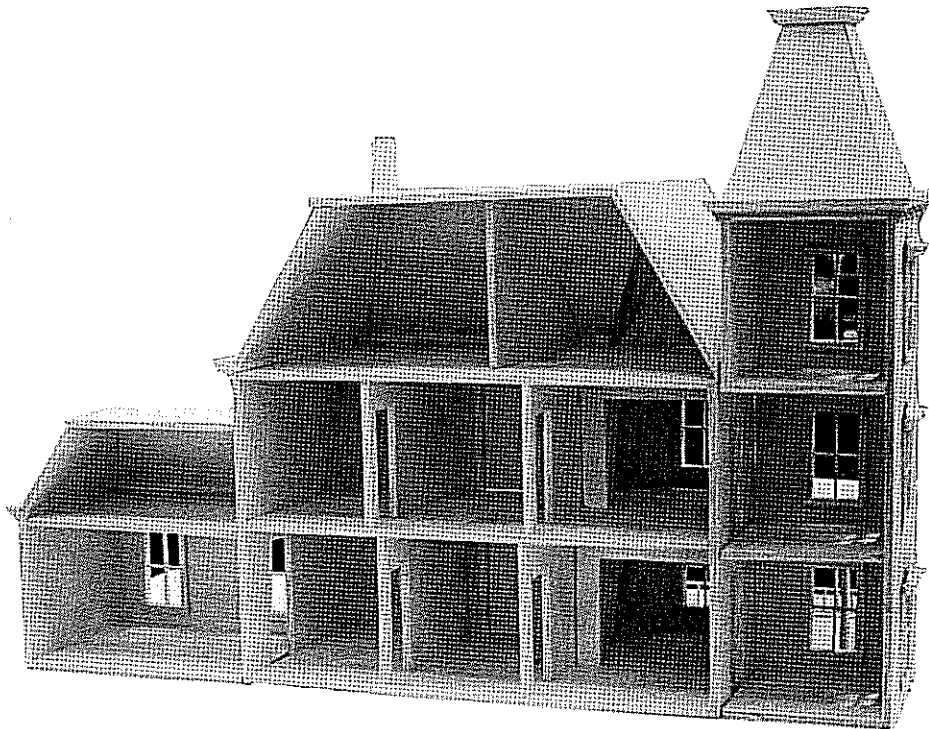
- #26      4 Door Casing Verticals  
          4 Door Vertical
  
- #27      1 Front Porch Base Molding  
          1 Front Porch Middle Molding  
          1 Front Porch Top Molding  
          2 Wraparound Porch Left Side Moldings  
          2 Wraparound Porch Front Molding
  
- #28      1 Side Porch Base Molding  
          1 Side Porch Middle Molding  
          1 Side Porch Top Molding  
          4 Wraparound Porch End Molding
  
- #29      2 Wraparound Porch End Roof Triangles  
          1 Wraparound Porch Corner Roof Triangle.
  
- #30      2 Chimneys
  
- #31      2 Stairs
  
- #32      2 Door Panels



---

# Real Good Toys "The First Lady"

---



## HOW TO ASSEMBLE "THE FIRST LADY"

The "First Lady" has been designed, built, and displayed with pride by all of us at Real Good Toys.

Even the instructions for this kit - though they will be used only for this Limited Edition - have been prepared with more care than any others that we have done. We hope you find that they facilitate your assembly of the "First Lady" as much as we anticipate.

Please remember that it is of great concern to us that you enjoy all facets of your experience with our house; if, during assembly, there is anything that we can do to assist you, please let us know.

The instructions are divided into sections, signified by Roman Numerals. When you are assembling the house, READ THE ENTIRE SECTION DENOTED BY THE ROMAN NUMERALS before actually doing the assembly. We even recommend a "dry run" after reading the section through, just to assure yourself that you understand the placement of the pieces.

The text and the illustrations are on separate sheets of paper. The illustrations, however, refer directly to the text. Note that there is a letter and number(s) below each illustration. This denotes the section of the instructions to which the drawing pertains. Illustrations are also divided by Roman Numerals that correspond to the main sections of the text.

We assume that you have some knowledge of tools, and since those required in the assembly of the First Lady are fairly simple, we have not gone into it in depth. However, we will suggest that: 1. If you have any questions, your local dealer or lumberyard will probably be able to answer them (or give us a call); 2. You use a tack hammer and 1/2" or 3/4" brads (depending on necessity) when attaching moldings; 3. That you find out what glue your dealer recommends. We used Elmer's, but I have a feeling that we're a little old-fashioned up here in Vermont; 4. Keep several grits of sandpaper on hand to touch up or smooth out surfaces that you think need it. Remember that a lot of the edges of the house will be covered up with trim strips, and if you want to avoid extra work, read the instructions through to find out what will be covered.

Finally, we have not recommended that you attach the tower, wrap-around porch, or right extension to the main house. Of course, if you choose to, you can glue them to each other (but make sure they're on a flat surface). We think that it will be easier for you in years to come if they stay loose. Moving, for example, will be much simpler if the parts detach. If you decide to attach them, we recommend that you get a board and keep the dollhouse on it. That will facilitate moving it. I guess it could even be landscaped that way.

We would love to see your house as it is finished. Not enough people send us photos while they're working on their houses! HOW ABOUT SHARING YOUR WORK WITH US? PRETTY PLEASE WITH SHINGLES ON TOP? We will look forward to seeing your creations.

Best wishes!

The RGT folks

## I. Assembling the main house shell

- A. Assemble center structure
  1. Find middle floor panel.
  2. Look at it from front edge. 2 slots should be in the right front corner, shortest slot facing you.
  3. Find the Porch End panel and the Right Front panel.
  4. Right Front panel's slot and door are the LEFT side of panel.
  5. Right Front panel's slot slides into the long slot on the middle floor panel. No glue needed.
  6. Porch End panel slides into small slot on middle floor panel. Before attaching, run bead of glue along the back edge. This butts up to the front corner of the Right Front panel.
  7. Nail corner created by Right Front and Porch End from inside the house. Thru back of Right Front, into Porch End panel.
- B. Attach top and bottom floors; 2-person job
  1. Find Base Floor panel and Top Floor panel.
  2. Run bead of glue in grooves of the Top Floor panel.
  3. Set it onto the Top of the Center Structure assembly, with top edge of Right Front panel and Porch End panel in grooves
  4. Nail it on from the top. One person holds, while the other nails.
  5. Turn the whole assembly over.
  6. Attach the Base Floor panel in exactly the same manner as the Top Floor panel.
- C. Attach sides
  1. Turn whole assembly onto its right side, so that the left side of the house is up in the air.
  2. Find Left Side panel.
  3. Apply bead of glue along the edges of the Top and Bottom Floor panels ONLY.
  4. Lay Left Side panel onto house assembly. Door openings are to rear of house. Top and Bottom Floor edges are flush with top and bottom of side panel; front and back edges are also flush.
  5. Nail panel to Top and Bottom Floors ONLY. Middle Floor is left free and loose at this point.
  6. Turn whole assembly over. Locate Right Side panel.
  7. Right Side panel is attached in the same way, with the 2 door openings toward the back of the house.
  8. Glue and nail the Top and Bottom Floors to the Right Side, leaving the Middle Floor free.
- D. To nail the Middle Floor in place
  1. Find 2 interior dividers
  2. Place one underneath the Middle Floor, up against either the right or the left wall, and the second one up against the same wall on TOP of the Middle Floor, so that you have a tight fit on all 3 floors.
  3. Mark an outside line on both ends of the house so you can tell where the middle floor is located, and nail the floor in. No glue is needed.
  4. Repeat on opposite wall.
- E. Attach Left Front panel
  1. Lay assembly on its back; test out location of Front panel
  2. Run bead of glue along edges of 3 floor panels, and walls which will come in contact with the Left Front panel
  3. Lay panel in proper place on assembly; nail into all 3 floors, Left Wall, and Porch End wall.

SHELL IS COMPLETE. WE WILL PUT IT ASIDE FOR A MOMENT



## II. Assembling Right Extension shell

- A. Attach Front panel to Floor panels - 2-person job.
1. Find Front panel and 2 Floor panels.
  2. Set nails in Front panel top, bottom, and right side edges .  
SET 3 NAILS IN TOP and BOTTOM, 2 IN SIDE. To locate bottom edge: distance from bottom edge to bottom of windows is 1-7/8"
  3. Find Bottom Floor panel, set upright. Run bead of glue along the long edge. Have someone hold it upright for you.
  4. Place Front panel on Bottom Floor edge. Bottom and left edges of Front are flush with bottom and left edges of Bottom Floor panel
  5. Hammer in pre-set nails. For extra support, you can use the other floor.
  6. Repeat with Top Floor. Left and top edges of Front panel are flush with those edges on Top Floor.
- B. Attach Side panel
1. Turn unit on left side.
  2. Run beads of glue along edges of Top and Bottom Floors, front edge of Side.
  3. Lay Side panel on unit, butt front of Side panel against Front panel.
  4. Nail Side panel into Top and Bottom Floors, making sure they are flush on top and bottom.
  5. Turn unit on its back; hammer in pre-set nails thru Front, into Side.

RIGHT EXTENSION SHELL IS COMPLETE.

## III. Assembling the Tower.

- A. Assemble Tower walls
1. Find Tower walls (2). Wider one is front panel, narrower is left side panel. Find bottom and mark it (1-7/8" from bottom edge to window bottom).
  2. Set nails in left side of Tower front every 5" going all the way up, 3/16" in from the left edge.
  3. Run bead of glue along right edge of left tower wall panel
  4. Stand left wall on its left long side (the one without the glue)
  5. Lay front wall on left wall edge, nail in pre-set nails. Here is where you need help - someone should be holding it up for you. It will also help to use a couple of the floor panels to support the front wall while you're nailing.
- B. Attach Floor Panels
1. Put glue on 2 edges of the bottom floor panel (all floors are the same. All are square).
  2. Set floor inside wall assembly, using another floor panel to keep the top square.
  3. Bring bottom floor flush with bottom edges of walls
  4. Nail in from the front and side. 3/16" from bottom edge
  5. Attach top floor panel, repeating process #2, 3, 4
  6. Attach middle 2 floors
    - a. As with main house, use 2 interior dividers from main house to locate height of floors
    - b. Put one interior divider against inside front panel, one against inside side panel
    - c. Put bead of glue along 2 edges of floor, set on top of interior dividers. This is the correct height now; let dry awhile, then nail

- d. Turn tower over, repeat from other side
- e. Floors should now be spaced the same as the main house

C. Attach tower right wall

1. Fits between the top floor of tower and floor just below it (fits right in between)
2. Find and fit this wall. It is not square
3. Put glue on top and bottom edges, and front edge of wall
4. Set in place. Should be fairly snug
5. Nail in, from front, top, and underside of third floor

IV. Attaching the porch trim - There are different types of pieces for bottom floor, middle floor, top floor. 2 each ( 6 pieces total). These are part of packs # 27 and 28. Make sure you have the right pieces as you assemble. In each case the long piece is the front, the short is the side.

A. Bottom Floor trim

1. Thinner "L - shaped" trim in pack # 27 and 28. Long trim for front, short trim for side.
2. Trim laps over top edge of porch
3. Run bead of glue along inside of notch in both pieces, apply to house.
4. Put glue in corner, make sure miters fit snugly
5. Nail in with brads

B. Middle floor trim

1. Has wide slot in rear side, narrow slot in front
2. Trim fits over plywood edge so it covers top and bottom of edge. 1/8" groove is the outside edge now.
3. Run bead of glue inside both trim pieces.
4. Fit over the middle floor edge. Make sure miters fit snugly.
5. Nail in place with brads

C. Top Floor trim

1. Similar to the bottom floor trim, but wider. This is important. Make sure you've got the right piece
2. Trim is applied UNDERNEATH the top floor panel so top of trim is flush with top side of panel
3. Run bead of glue inside trim (both pieces), apply to house
4. Make sure miters fit snugly
5. Nail in place

D. 1/8" Eave

1. Piece 1/8" thick x 1" wide, x 20" long in pack #3.
2. Fits into the 1/8" groove on the front of the middle, long porch trim
3. Run thin bead of glue down one long edge of eave piece
4. Insert in groove

V. Attaching roof panels to Main House

A. Left Gable Roof panel

1. Put panel in place
  - a. rear roof panel is even with rear edge of house
  - b. section that is cut out of panel is in lower rear
  - c. bottom edge (at slant) runs along left edge of house
2. Attach roof panel to house
  - a. run bead of glue along left edge of gable peak. Place panel.
  - b. be sure the overhang in the front (distance from edge of

roof panel to front panel) is even, top to bottom. This is important.  
c. Nail panel in. It extends 3/8" over the peak, as shown in diagram.

B. Right Gable Roof panel

1. Put panel in place
  - a. Fits on right edge of gable peak, butting underneath overhanging edge of Left Gable roof panel
  - b. Overhand in front is exact same as Left Gable roof panel. Their front edges are flush
2. Attach roof panel to house
  - a. Run bead of glue along right edge of gable peak. Place panel.
  - b. Make sure over hand is even, top to bottom
  - c. Nail panel in place
3. Nail left roof to right roof, through top. This will secure the panels through the rest of construction

C. Attach Ledge Molding (there are left and right pieces which meet at the house's right corner with a mitered joint. Pack #16)

1. Right Ledge
  - a. Place with miter forward, back edge flush with back of house
  - b. Run bead of glue in molding notch
  - c. Put back in place and nail (either into side or top floor panel).
2. Front ledge
  - a. Place with miter on right, meeting snugly with right ledge miter
  - b. Bevel on left edge will not fit against the roof panel. It will sit approximately 1/8" away. to accommodate molding that will be applied later.
  - c. Run bead of glue in molding notch
  - d. Put back in place and nail

D. Center roof panel (parallelogram)

1. Put panel in place
  - a. Panel fits in the groove in the front ledge molding (angling towards back of house), butts against right gable roof panel
  - b. Will fit only one way - experiment with it, and this will become obvious
  - c. Place in ledge molding groove
2. Do not glue yet. We will put the right roof panel in place, then attach center panel and right panel at the same time.

E. Right roof panel

1. Put panel in place
  - a. fits into groove in right ledge molding
  - b. angle in front, panel slants to left, front corner meeting right front corner of parallelogram
  - c. corners should meet snugly
  - d. if corners do not meet snugly: make some adjustment with ledge moldings. Ledge moldings should fit flat on the top floor panel. If they do, the 2 roof pieces should meet together without any forceful persuasion.
2. Attach center and right roof panels - two person job

- a. when corners have been made to fit, remove panels
- b. run bead of glue in grooves of ledge moldings
- c. run bead of glue on left edge of parallelogram where it meets the right gable roof, put panel in place
- d. have someone hold parallelogram in place (rear edge flush with rear edge of right gable roof) while you run bead of glue along edge where it will meet right roof panel
- e. put right roof panel in place
- f. person helping now holds center and right roof panels together. Remember: snug at corners.
- g. nail roof corner together - from front (into right panel) AND side (into parallelogram) Extra care here - don't let nail run through plywood to inside or outside

F. Attach top roof panel - rectangular panel with one edge bevelled.  
2-person job

1. Put panel in place
  - a. bevel is on left side. It fits evenly against the top edge of the left gable roof panel, on top of flat edges of center and right roof panels.
  - b. this forms a peak running half the distance of the roof to the back
2. Attach panel
  - a. run bead of glue on flat top edges of center and right roof panels
  - b. run bead of glue on bevelled edge of top panel
  - c. set top panel in place
  - d. have someone hold panel in place, nail down into center and right roof panels.

VI. ASSEMBLING RIGHT EXTENSION ROOF - this is essentially the same as steps C-F, section V. However, we will repeat it here.

- A. Attach ledge molding - pack # 17
1. Put right and front ledge moldings in place, meeting snugly at miter. This time, both front and side will be flush with edge
  2. Run beads of glue in molding notches
  3. Put back in place with miters meeting snugly
  4. Nail pieces in place, either into side or into top
- B. Attach front and side roof panels
1. Set in place, in grooves of ledge molding
  2. Make sure corners meet snugly
  3. Remove, run bead of glue in ledge molding grooves, and along right edge of front roof panel where it will meet right roof panel
  4. Put panels back in place
  5. Nail corners together, as with house roof
- C. Roof top panel
1. Fits on top of front and side roof panels. Front left side will be even with left edge of front roof panel. Rear right side will be flush with back of right roof panel
  2. Top panel will extend slightly past the front and right roof panels on front and right edges.
  3. Run bead of glue on top edges of front and right roof panels
  4. Place top panel on (for help keeping everything even, push extension against right side of house)
  5. Nail down into front and right roof panels

## VII Assemble Tower Roof

- A. Attach ledge moldings - pack #14 - attached in same manner as main house and right extension
1. There are 4 ledge moldings, all the same size. Tower is square; they go all the way around it
  2. Important to make sure, before attaching moldings, that you have distinguished between top and bottom of tower
  3. Put ledge moldings in place; make sure miters fit well
  4. Run bead of glue in notches and on mitered edges
  5. Replace ledge moldings on tower
  6. Nail in place
- B. Attach roof panels and roof corners - pack #14
1. Put panels in grooves of ledge moldings. Panel will slant in.
  2. Slide groove of roof corner over edge of roof panel
  3. Slide roof panel into other groove of roof corner
  4. Bevelled bottom edge of roof corner should sit flat on the ledge molding - if it doesn't, it's upside down. Flip it over
  5. Continue until all 4 roof panels and corners are assembled. UNIT should fit snugly
  6. Disassemble unit, glue and reassemble
- C. Assemble and attach tower roof cap - 4 small mitered pieces, pack #15
1. All pieces are the same size
  2. Apply glue to all mitered edges
  3. Fit miters together snugly
  4. Hold together until glue is dry, with small clamps, or with rubberband around assembled unit
  5. When dry, run bead of glue in grooves in underside of cap molding
  6. Set roof cap onto top of tower roof, easing top of roof panels into grooves. Cap sits on top of roof corners

## VIII Interior Panels

- A. 4 large interior divider walls can be placed wherever you choose
- B. Arched dividers are cut to divide the deep rooms on the right (as you look into the back) into 2 rooms. Of course, you may disregard these and leave the rooms large.
- C. Attic partitions fit anywhere along the attic to left of gable (from rear of house)

## IX. ASSEMBLE WINDOWS (To assemble windows, you will need packs #4, 8, 12, 22, 23, 24. They go together without glue).

- A. Window Trim
1. Open pack #23. Separate the 2 kinds of pieces in it. The thin piece is a window sill, the other a window bottom.
  2. Fit the window bottom, groove down, over the bottom edges of all the windows
  3. Fit the window sills, with the shallow groove up, over the window bottoms. The groove is UP and TOWARD THE OUTSIDE OF THE HOUSE
  4. Take the rubber bands off the 2 bundles of window tops, pack #24
  5. Remove rubber band from fancy pieces in pack #12. This is

wind : Gingerbread

6. Place these pieces (#12) in the narrow groove in the top of the window tops. They only go part way in; if they're loose, a strip of masking tape along the bottom edge will thicken the pieces and keep them in place until you paint them. If too tight, a little sanding will reduce the thickness.

7. Now slip the window tops (with ginger now attached) into each window's top edge, as you did with the window bottom. Remember to remove all burrs and fuzz so they'll fit well

8. Now open pack #22. These are window vertical trim.

9. Fit the groove of the window verticals over the SIDE edge of the windows. This trims the inside edge at the same time,

The wide side of the vertical is toward the inside of the house.

10. Tip on assembling: place the bottom edge in the corner of the window and slide the top edge up, diagonally.

B. "Glass" (pack #8. As you insert these, unmask them, But not before).

1. To insert:

- a. they are inserted from outside of the house
- b. push top of glass up into groove in window top
- c. snap window into the frame
- d. let bottom of window drop into groove of window sill

2. Window mullions are in pack #4, along with door tops. (Insert door tops the same way you inserted window tops).

3. Window mullions should be preassembled. Take extra care with them! THEY ARE FRAGILE AND BREAK EASILY!

- a. Snap short piece (horizontal mullion) across long one (vert), groove-to-groove
- b. Tilt slightly sideways, and slowly, with finger at each end of vertical window mullion, straighten frame out until it fits inside window. May be glued.

## X. Assembling and hanging door

A. Assemble door frame

1. Find door panels, door horizontal (part of Pack #19) and door verticals (Pack #26)

2. Lay door horizontal and vertical with groove facing up

3. Run bead of glue in grooves

4. Slide horizontals' grooved side over short edges of door panel, top and bottom

5. Put dab of glue on ends of horizontals

6. Slide verticals' grooves over long edges of door panel; butt up against the ends of horizontal. Hold firmly til set. Lay unit down. To square it up, make flat. Let dry.

7. Sand any edges you think need smoothing

8. Sand angle onto right vertical (see diagram) to facilitate door's opening and closing easily.

B. Hang Door

1. Find hinge pack, door casing verticals

2. Place hinge 1/2" from top or bottom, fold over so that center of pin is over left edge of door, folded side butting up against door frame (it's folded to keep it square)

3. Nail a 1/2" nail in, line up so it's square, and put the other in.

4. Repeat process with the other hinge

5. Line up door casing vertical so that top edge of door is just a hair lower than top edge of vertical. Bottom edge is 1/8" higher than vertical's

6. Nail hinge into vertical, making sure that the door is square to the vertical. If it's crooked, the door will not swing well.

#### C. Insert Door

1. Door top is already attached
2. Slide door casing verticals over inside edge of door opening
3. Slip threshold (pack # 1) between door casing verticals, on porch floor (7/8" x 4-1/8")
4. When satisfied with fit, remove and glue. Remember that the door should be sanded on an angle on the right side if it needs adjustment to fit trimmed door opening

### XI. Assembling the wraparound porch

#### A. Attach porch trim

1. Find porch base and top panel (same size). These can be simultaneously done per floor
2. Find porch trim - in packs # 27, 28. There are 4 pieces per floor. 6" long, 6" long, 15" long, 17 1/2" long.
3. Trim will lap over the top of the base and under the ceiling as the porch trim of the main house did
4. Attach two long molding pieces ( 15" and 17 1/2" )
  - a. run bead of glue in notch
  - b. place as per diagram, with miters meeting snugly
  - c. nail in place with 1/2" brads
5. Attach 2 short molding pieces ( 6" & 6" )
  - a. run bead of glue in notches
  - b. place as per diagram with miters meeting snugly
  - c. nail in place

#### B. Assemble Roof

1. Find the porch roof panels, 2 end roof triangles, 1 center roof triangle (pack # 29), which has bevels on the top side
2. Lay porch roof panel (with molding attached) with flat side up
3. Set end triangles on 2 ends of porch roof, with outside edge just resting on edge of molding.
4. Remove triangles, put bead of glue on bottom side, replace. NOTE: rear edge of these should be flush with rear edge of panel. The rear edge of the triangle, should be perpendicular to panel floor. If it's not, the triangle is upside down, It must be able to fit flat up against the house
5. Center triangle should be set diagonally at intersection of "L" center. It supports the two roof panels as they meet at an angle
6. Roof panels are in 2 sizes: longer one is the front.
7. Panels lay on triangles, meeting at "L" center in a closed seam. That means the angles on the panel diagonal edge must meet cleanly.
8. To help keep these square and even with the house, this assembly can be set against the house before and while gluing
9. When satisfied with fit, remove and glue. Nail the roof panels to the roof triangles. Sand the corner where the panels meet
10. Set this assembly aside until you reach the section on assembling porch columns and gingerbread

XII. Assembling Porch - columns, gingerbread, railings. Pack # 20, 21, 5, 7.

A. Built-in porch of main house

1. Insert porch columns

a. columns are placed by the position of notches - there are vertical and horizontal notches (ignore the notch at the very top of column)

b. vertical notches are to accept gingerbread, horizontal notches are to accept railings

c. on bottom floor porch, columns are, from left to right: column with 1 vertical notch and no horizontal notches, column with 2 vertical notches and one set of horizontal notches, column with corner notches and column with 1 vertical and 1 set of horizontal notches goes in rear

d. on 2nd floor porch, columns are; left to right: column with 1 vertical and one set of horizontal notches, column with 2 vertical and 2 sets of horizontal notches, corner column, and column with 1 vertical and 1 set of horizontal notches in rear

e. put these in place. They will fit snugly. Do not glue

2. Attach gingerbread

a. turn notches in porch columns so they face each other. On bottom floor, the middle column will have horizontal notches facing right.

b. open gingerbread pack #7. You'll need 2 pieces  $8\frac{5}{16}$ " long and 1 piece  $3\frac{3}{8}$ " long for each level

c. longer scallop is on outside end (see diagram)

d. insert gingerbread. It is fragile. Do this very carefully. It fits in the top vertical groove of the porch column. Slide one column back a little, insert in one end, and slide columns together so gingerbread will sit in both notches. DO NOT FORCE. If it seems difficult sand the surface till it fits easily.

e. short gingerbread goes between corner column and rear column

3. Attach railings - pack # 5

a. you will need 4,  $8\frac{5}{16}$ " long and 2,  $3\frac{3}{8}$ " long pieces per floor

b. slide long railing into horizontal grooves of columns, with narrow grooves facing each other.

c. short railings go from corner to rear column

d. when these are in place to your satisfaction, pull each column slightly forward, one at a time and put a dab of glue on top and bottom. Then slide back into place. Make sure, each time, that it is set up well

e. when columns are glued in place, you may glue in railings and gingerbread if you want

f. to insert rails (pack #11): holding the bottom railing with one hand to support it, insert  $1/8$ " dowel into groove (dowel at angle)

g. support top railing, slide top of dowel into top groove

h. spacing is approximately  $7/8$ " between rails

B. Wraparound porch

1. Attach porch columns, ginger railings

a. remaining of these parts are for wraparound porch column unit will be assembled before roof is attached, glued on bottom. Roof will be added after glue is dry

b. arrangement of wraparound porch columns is shown in diagram

c. assemble gingerbread and railing with columns

d. when you are satisfied that you are correct, glue bottom of column in place (see diagram)

e. when dry, put dab of glue on top of columns, place roof on top. Gently place porch unit against house corner, to assure roof position

f. when dry, attach rails as per section A-3



### XIII. Peak Trim

- A. Assemble Gable gingerbread peak - Pack # 9
1. Short slats will be glued onto back of triangle
  2. Set slats on angle, flaring from the center of either side
  3. Long slat is glued to front of triangle, with point of slat pointing towards peak, but not fitting all the way up into peak
  4. This must be adjusted to fit into eave molding. Try and mark it before gluing
- B. Eave Molding - (2) part of park # 13, scalloped gingerbread part of pack #17
1. Assemble before attaching permanently
  2. They are mirror images of each other - sharpest angle goes at top. If they don't seem to fit, turn one of them over
  3. Gable triangle and gable gingerbread fit into the thin grooves.
  4. Whole assembly -not yet glued, so it can be adjusted, fits over the front edge of the gable roof
  5. When satisfactory, glue to the roof
- C. Gable Window Pack #15
1. Assemble before attaching to house
  2. Hold window sides and bottom together, place plexi window in grooves.
  3. Place a dab of glue on the bottom of the window verticals to temporarily hold this together
  4. Glue window top to top of window verticles (window glass already in place)
  5. Hold unit together tightly with 2 hands for about a minute, til dry enough to insert in opening.
  6. Put a touch of glue around window edges, insert in opening
  7. Fit trim strips on inside edge of window. Glue to inside panel, trying to make them as even as possible with the front strips

### XIV. Miscellaneous

#### A. Cornice molding

The ornamental pieces in pack #18 and the smaller ones in pack #19 are called "brackets". In Victorian houses, they served no other purpose than appearance. So it is on this house. The larger brackets go beneath the roof ledges and beneath the 1/8" eave over the first story of the porch. The smaller ones go beneath the window cornice (the window top piece) one on either side. They are glued right up against the bottom edge of the window top, on the window vertical.

#### B. Chimneys

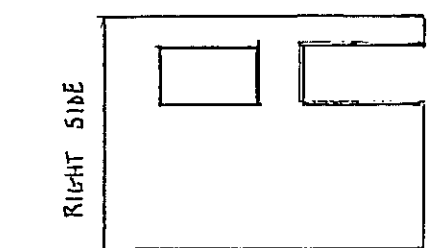
Chimneys are in pack #30 and the stacks are in pack #18 (4 3/8" dowels).

1. Insert dowels into 2 holes on top of chimneys. No glue needed. It's up to you. Chimneys sit on roof top piece, on either end of the roof.

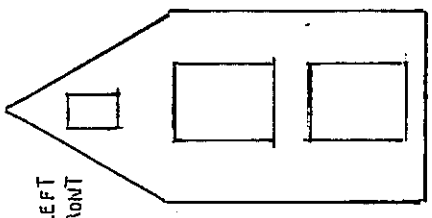
#### C. Stairs

Consist of : stairs (2), Pack #10, and pack #13 (2 bannisters)

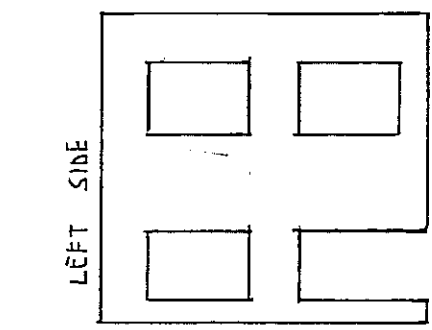
Stairs are preassembled. You only have to assemble the bannisters and railings. Insert railings (dowels on pack #10) into holes in stair. When all railings are inserted, place bannister, groove down, on railings. Do not apply pressure. Railings will tend to move forward. One by one, push them upright, holding the bannister in place. The dowels will fit into the groove.



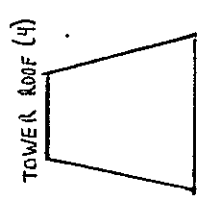
RIGHT SIDE



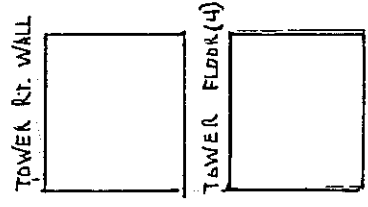
LEFT FRONT



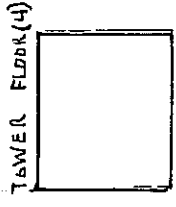
LEFT SIDE



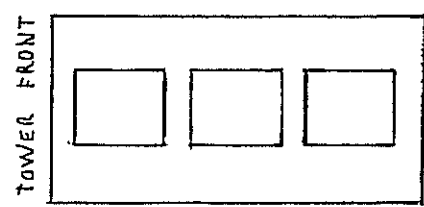
TOWER ROOF (4)



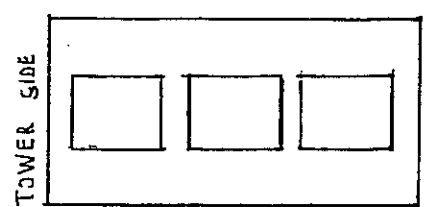
TOWER RT. WALL



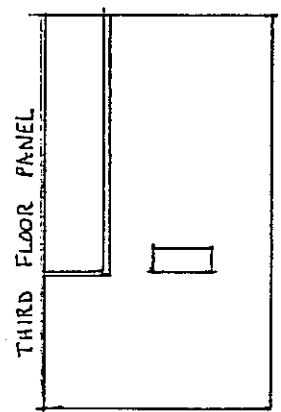
TOWER FLOOR (4)



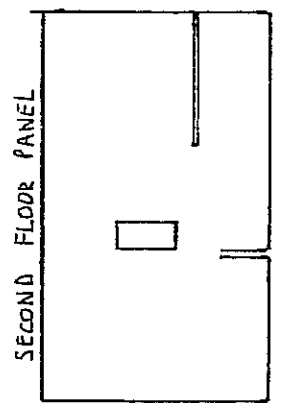
TOWER FRONT



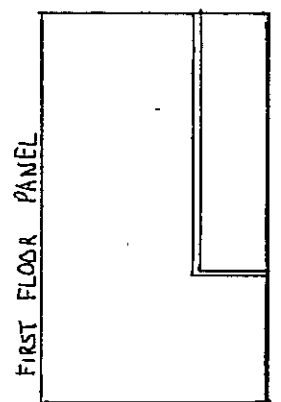
TOWER SIDE



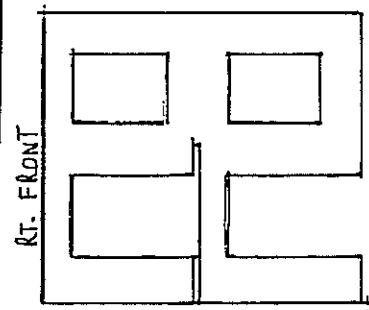
THIRD FLOOR PANEL



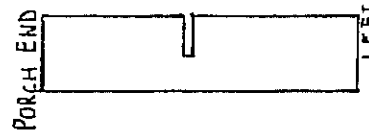
SECOND FLOOR PANEL



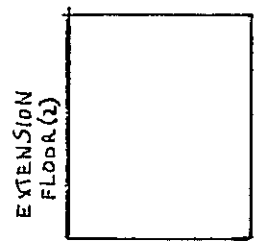
FIRST FLOOR PANEL



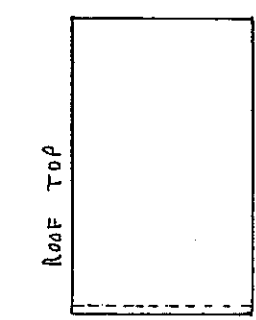
RT. FRONT



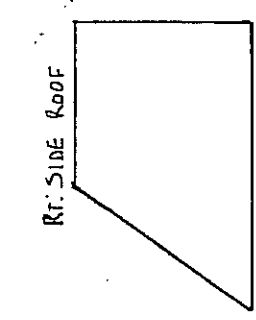
PORCH END



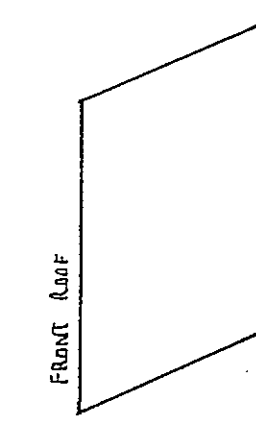
EXTENSION FLOOR (2)



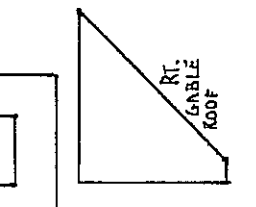
ROOF TOP



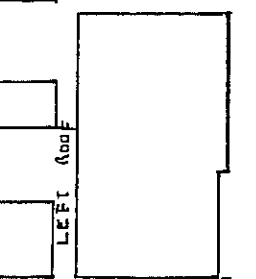
RT. SIDE ROOF



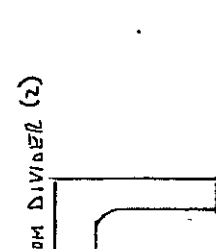
FRONT ROOF



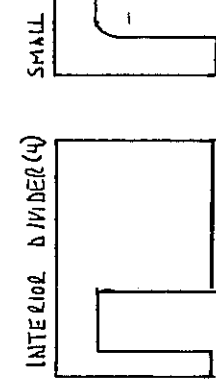
RT. GABLE ROOF



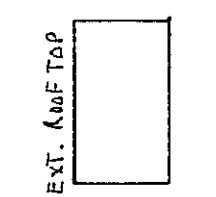
EXTENSION FRONT



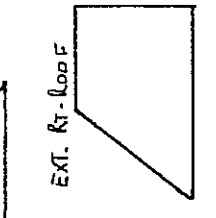
SMALL ROOM DIVIDER (2)



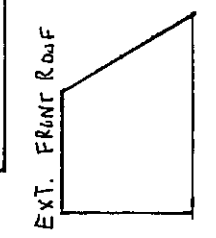
INTERIOR DIVIDER (4)



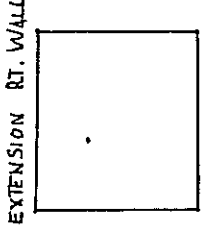
EXT. ROOF TOP



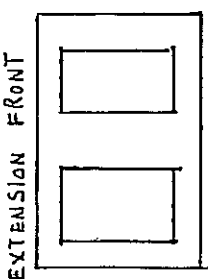
EXT. RT. ROOF



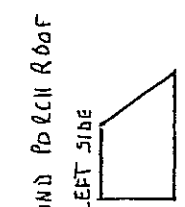
EXT. FRONT ROOF



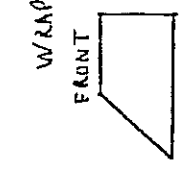
EXTENSION RT. WALL



WRAPAROUND PORCH PANEL (2)



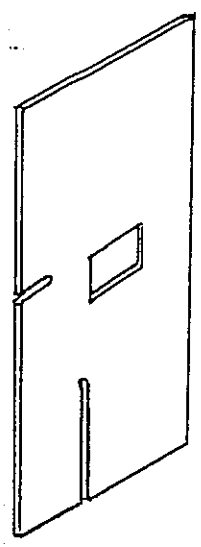
WRAPAROUND PORCH ROOF LEFT SIDE



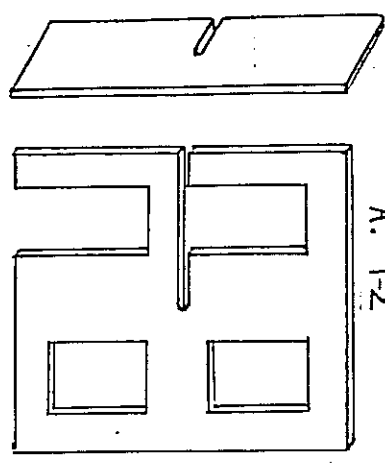
WRAPAROUND PORCH ROOF FRONT

# PANELS IN THE "FIRST LADY"

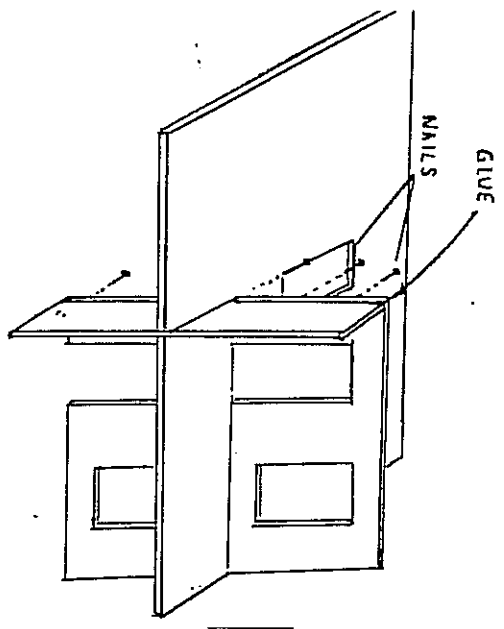
# SECTION I



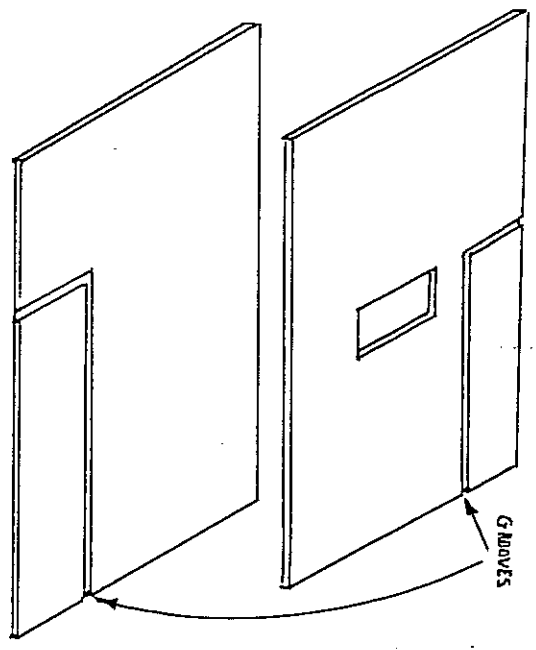
A. 1-2



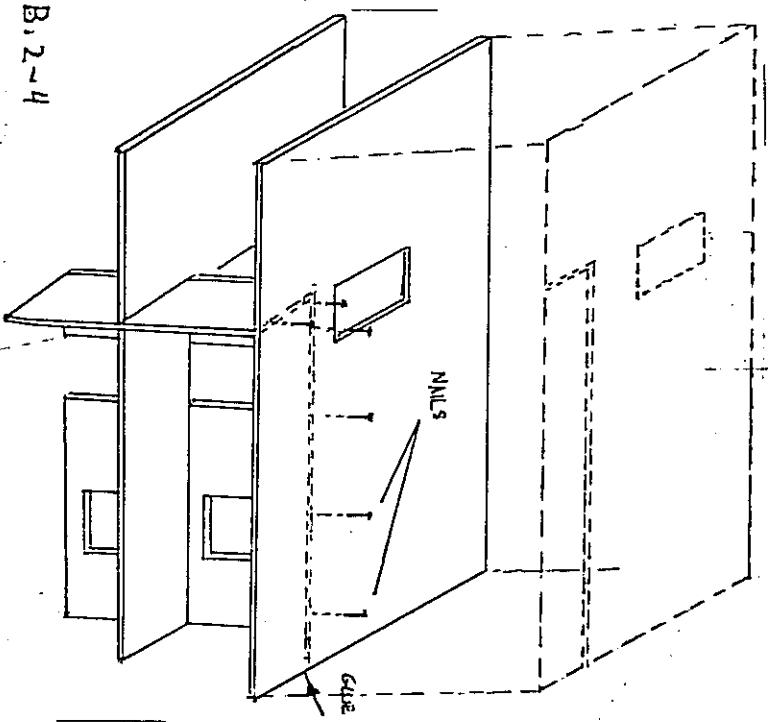
A. 3-4



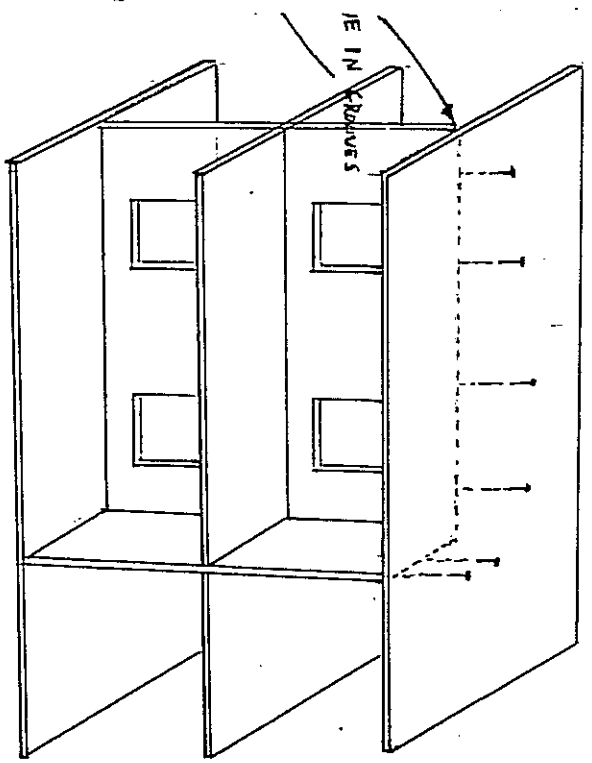
A. 5-7



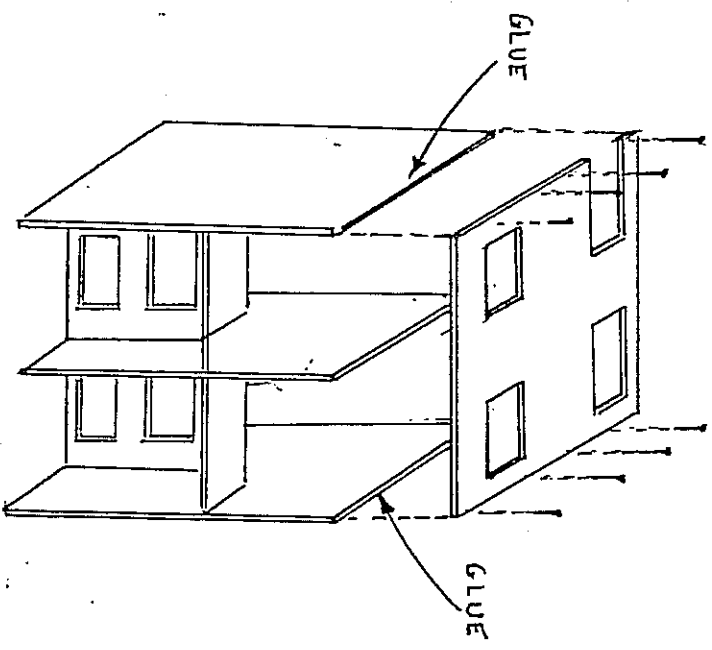
B. 1



B. 2-4

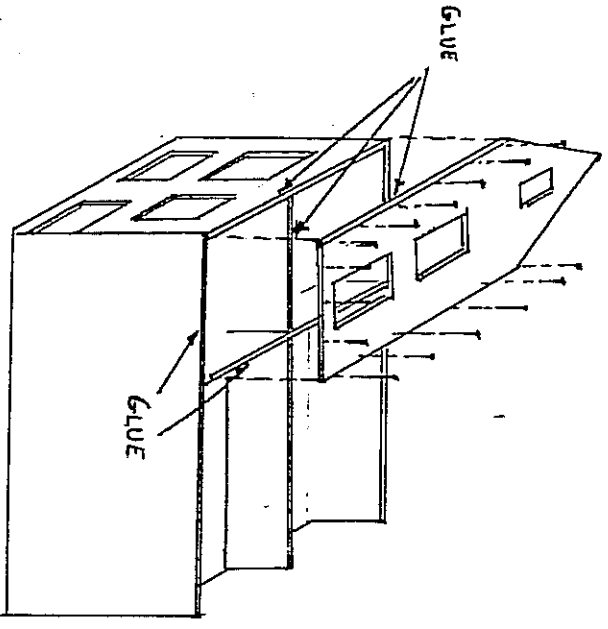
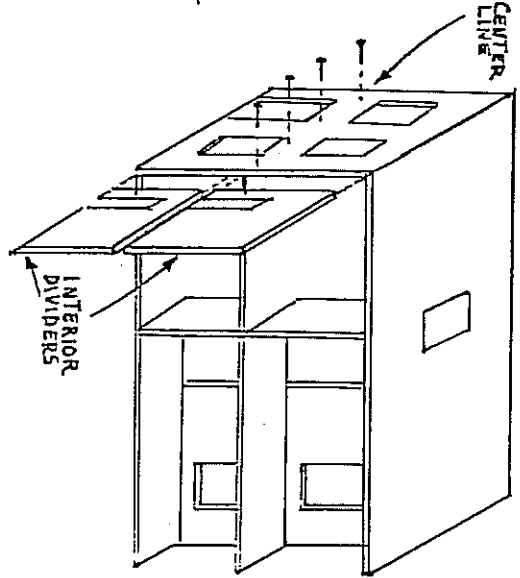
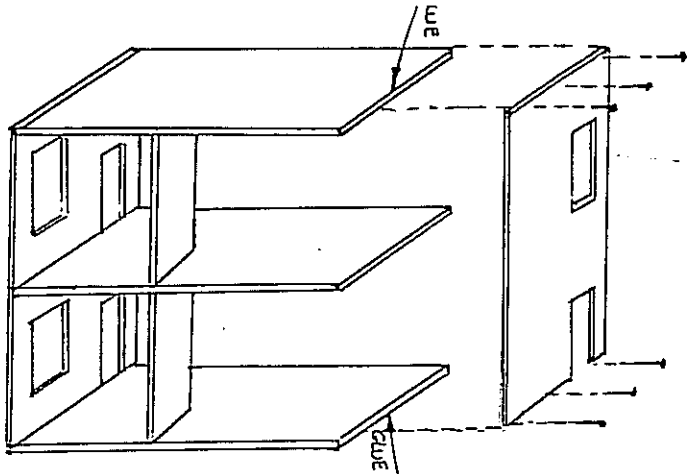


B. 5-6



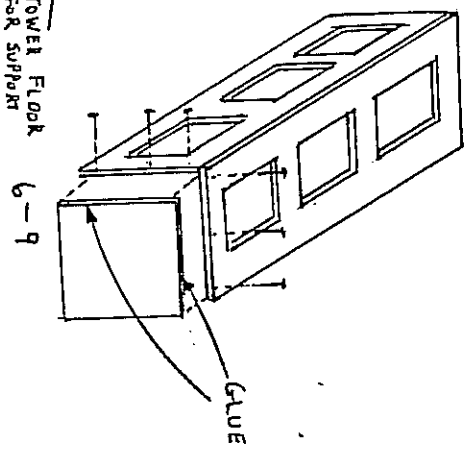
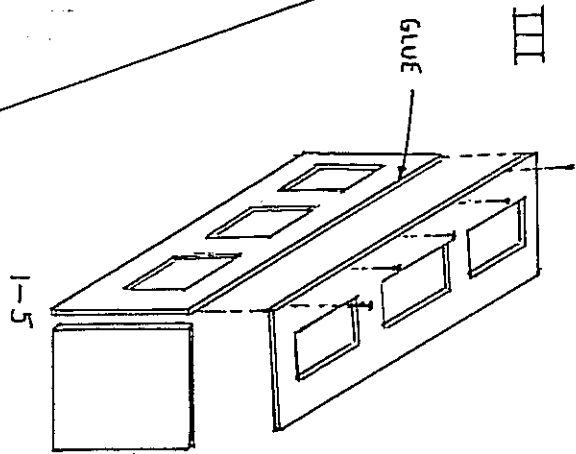
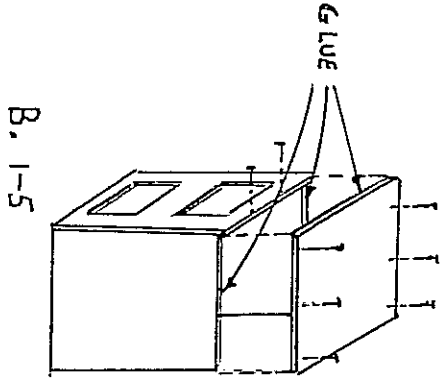
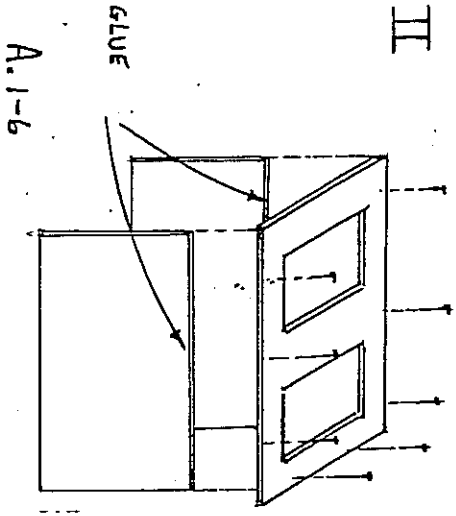
C. 1-5

SECTION I, CONT'D.

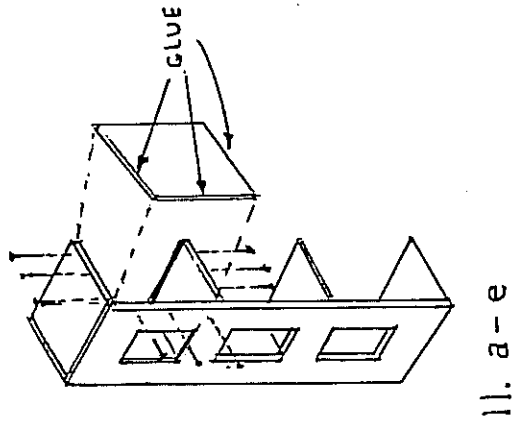
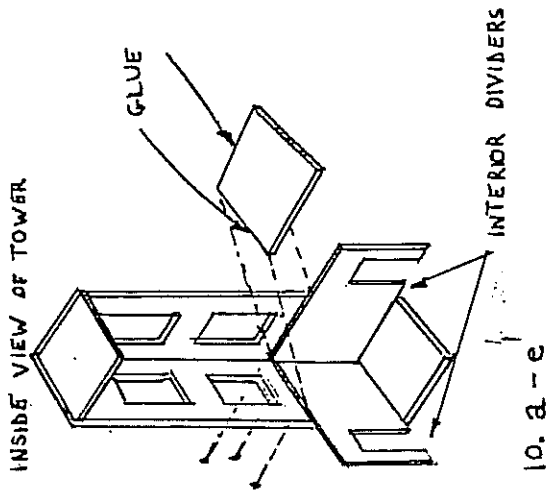


SECTION II

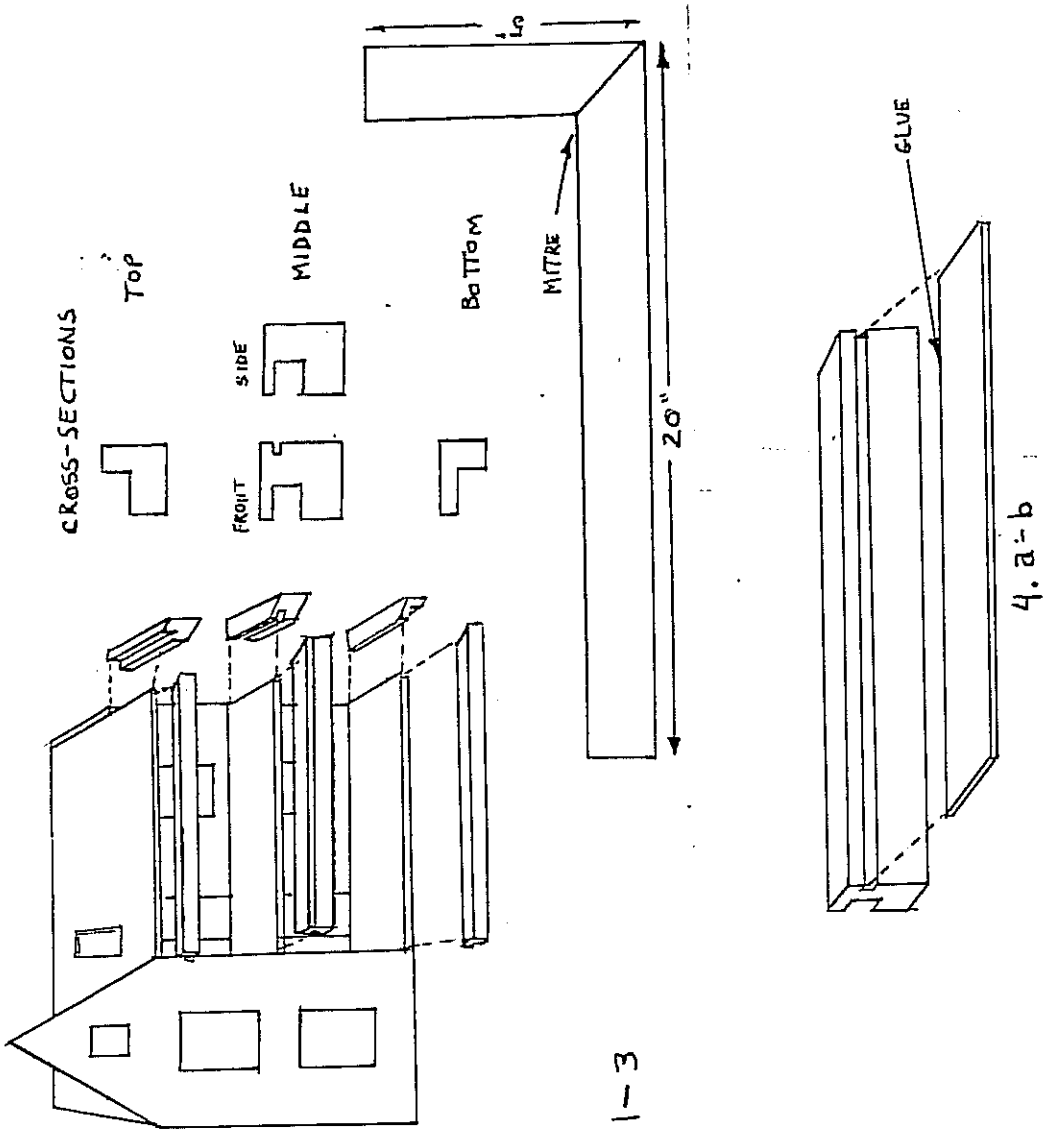
SECTION III



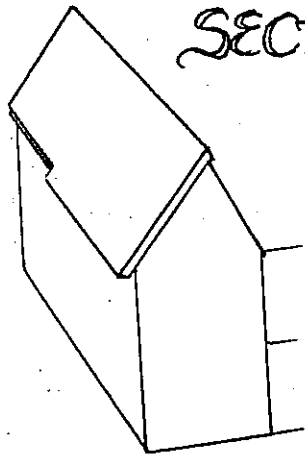
SECTION III, CONTINUED...



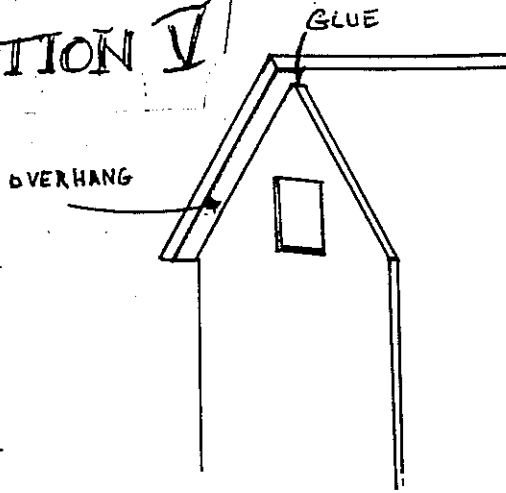
SECTION IV



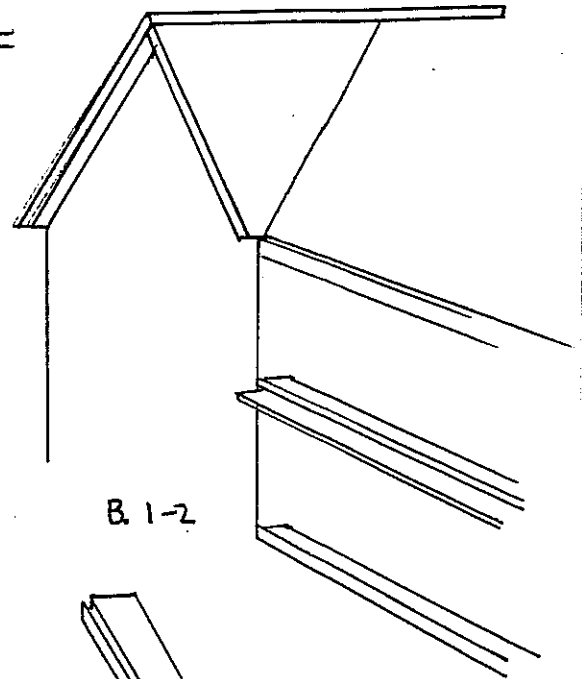
# SECTION V



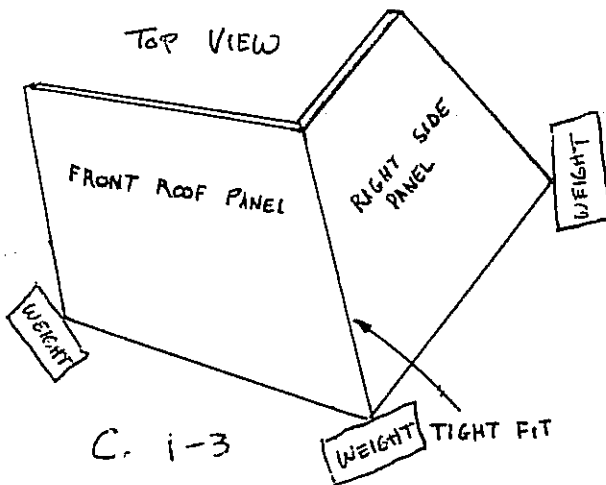
A. 1.2-c



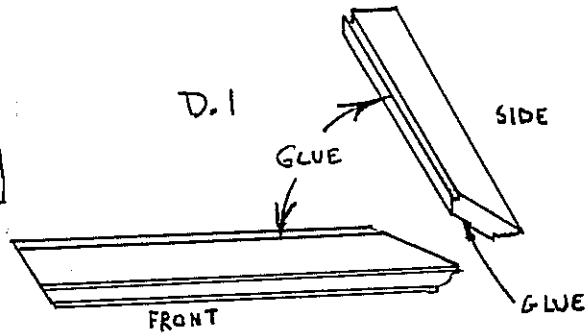
A. 2.2-c



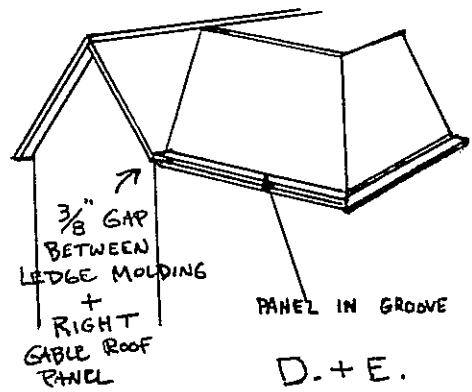
B. 1-2



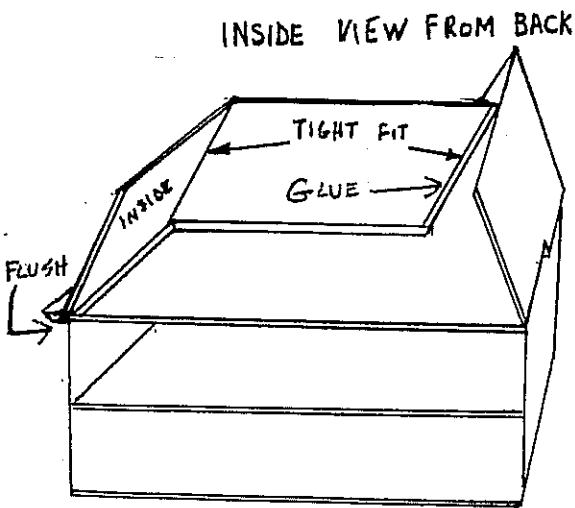
C. 1-3



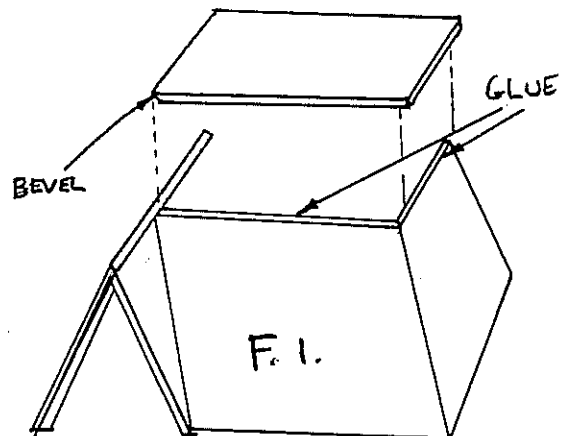
D. 1



D. + E.

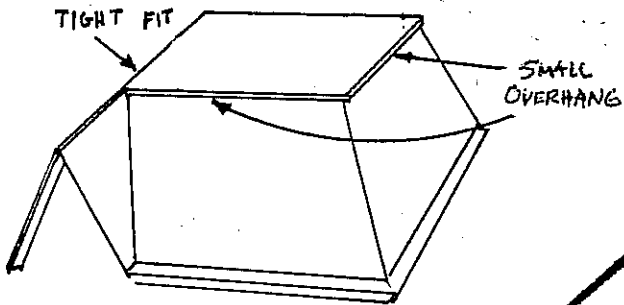


E. 2



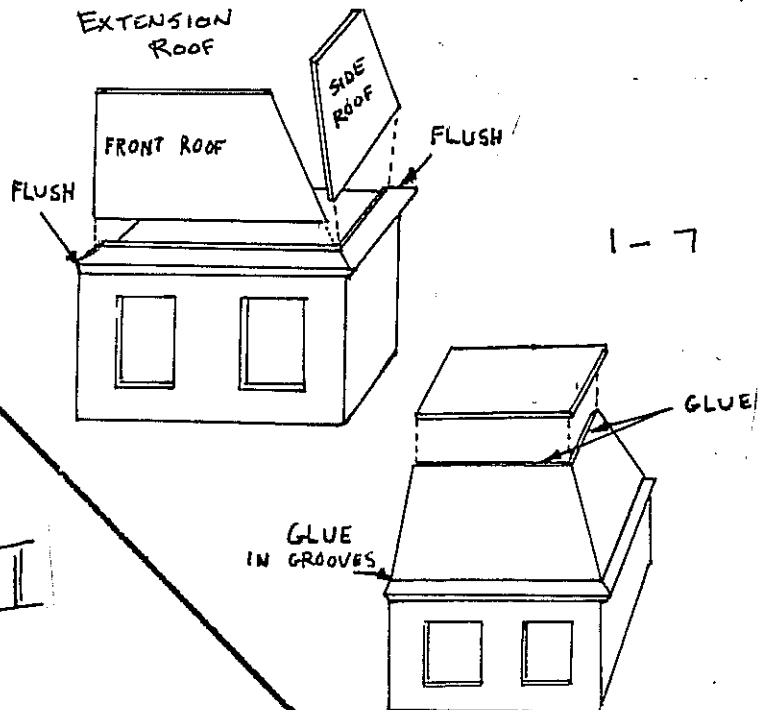
F. 1.

# SECTION V (CONTINUED)



F. 2

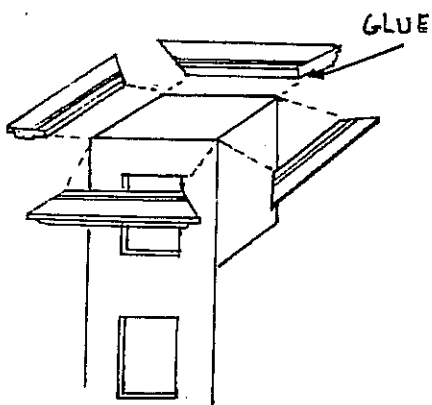
# SECTION VI



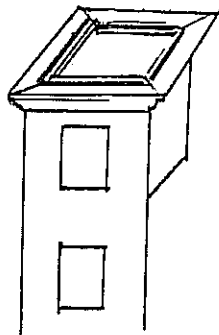
1-7

# SECTION VII

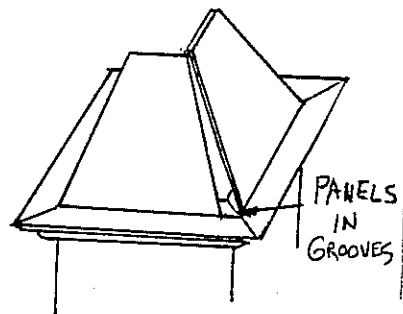
## TOWER ROOF



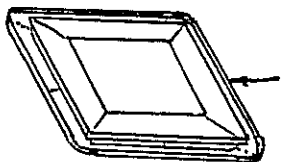
A-



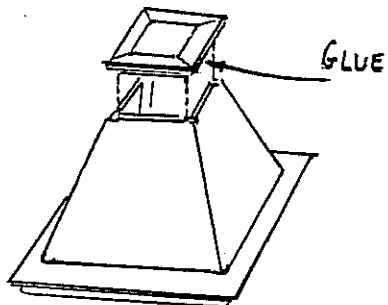
A.



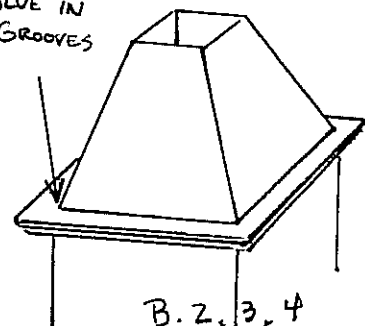
GLUE IN GROOVES



C. 1-4

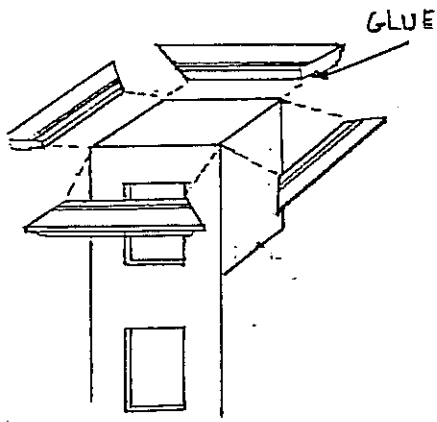


C. 5

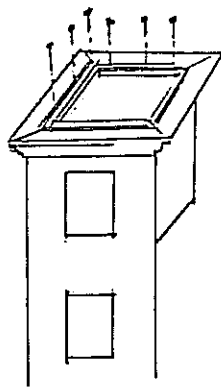


B. 2, 3, 4

TOWER ROOF

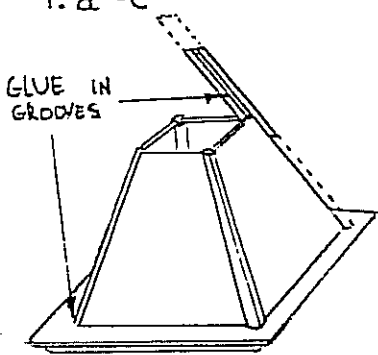
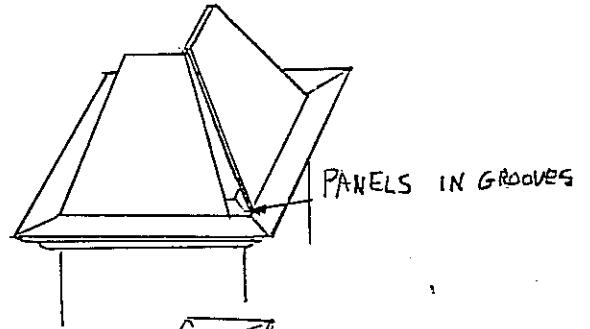


1.a-c

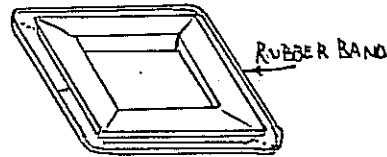


1.e-f

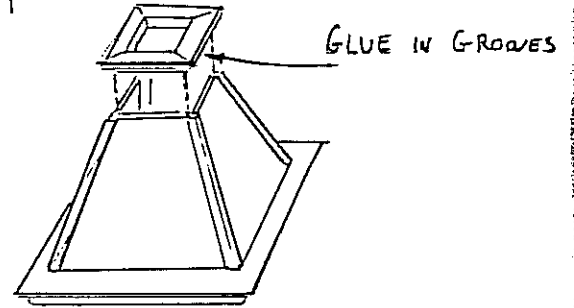
SECTION VII



2.a-f



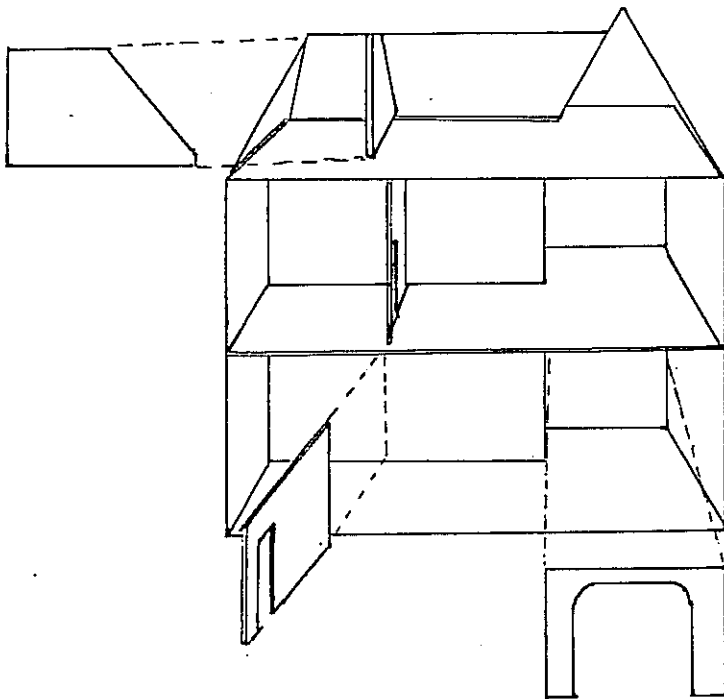
3.a-d



3.e-f

SECTION VIII

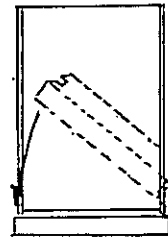
SECTION VIII



INTERIOR PANELS

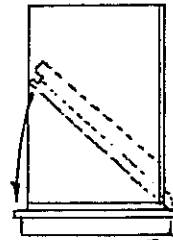
IX

WINDOW ASSEMBLY



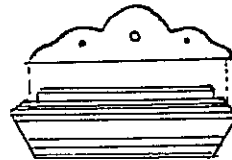
WINDOW BOTTOM

2



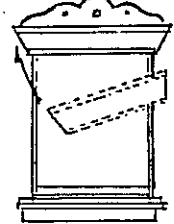
SILL

3

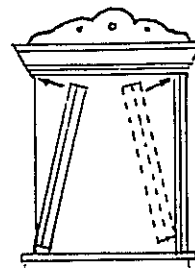


WINDOW TOP AND GINGER

6

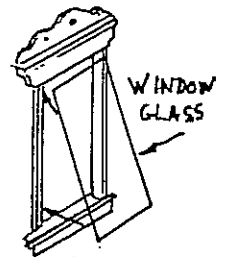


7



VERTICAL TRIM

9-10

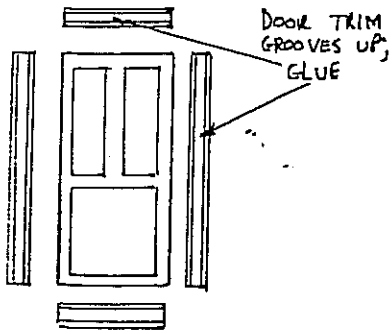


12

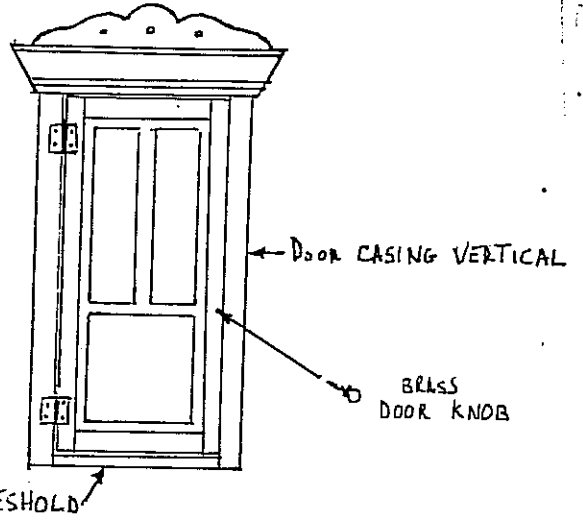
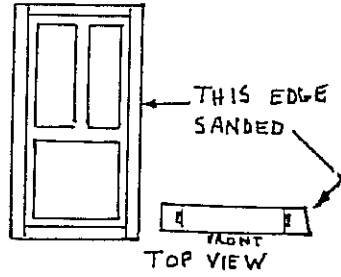


# SECTION X

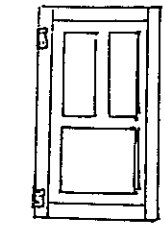
## DOOR ASSEMBLY



A. 1-8



## DOOR HANGING



B. 1-4

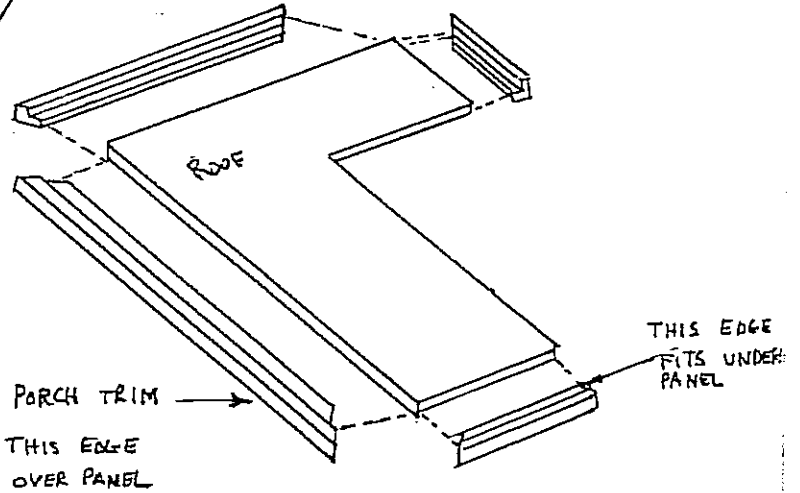


B. 5-6

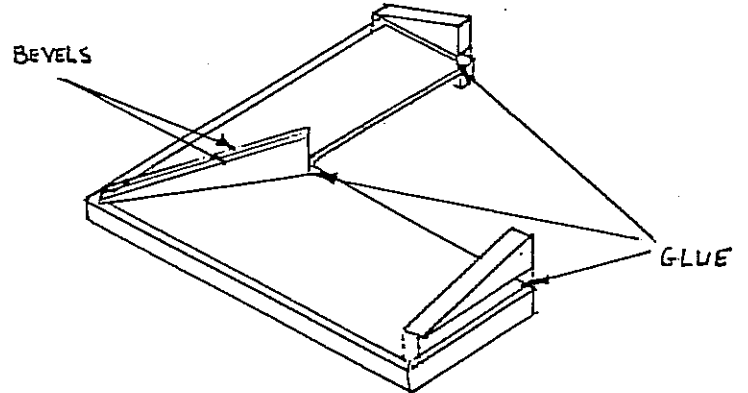
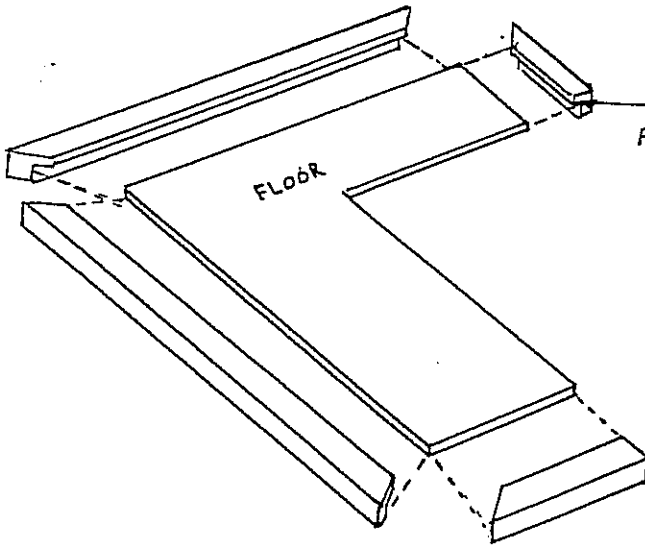
# SECTION

# XII

## WRAPAROUND PORCH

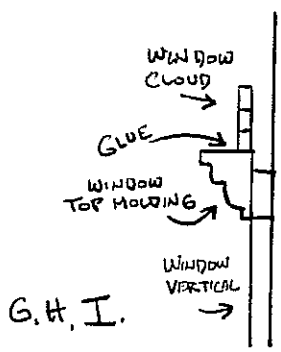
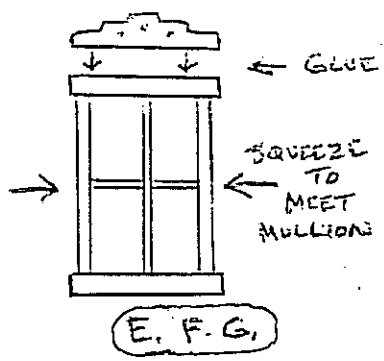
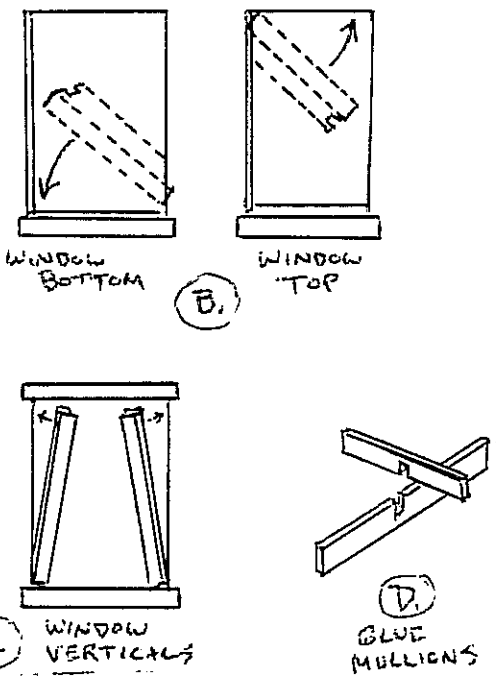


A. 1-5



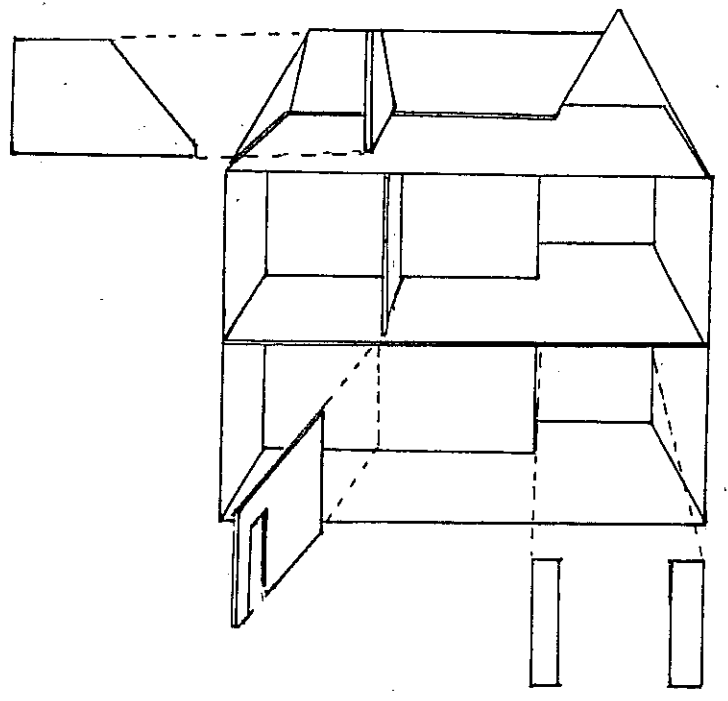
B. 1-5

# SECTION IX

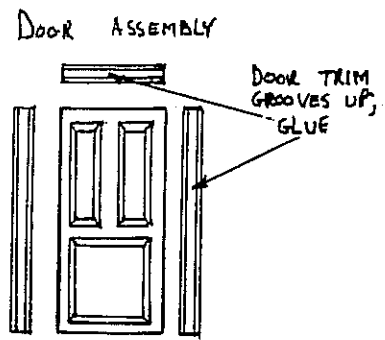


# SECTION VIII

## INTERIOR PARTITION LOCATIONS



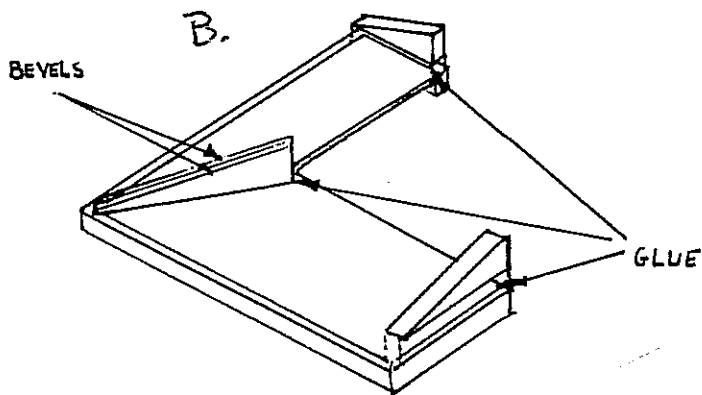
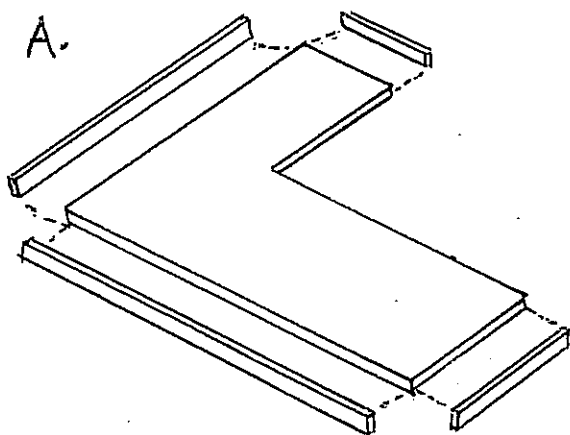
# SECTION X



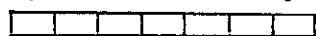
# SECTION

WRAPAROUND PORCH

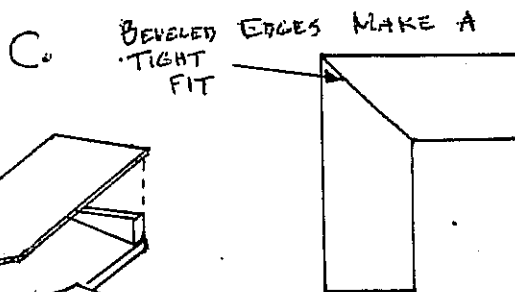
## XI



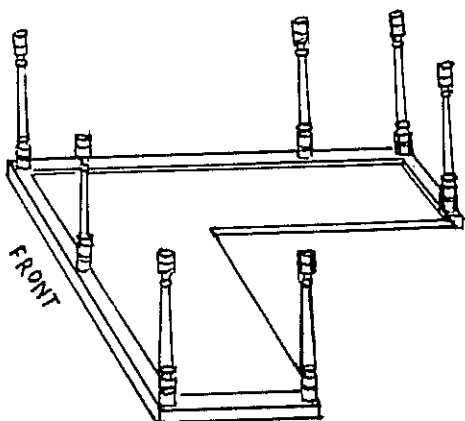
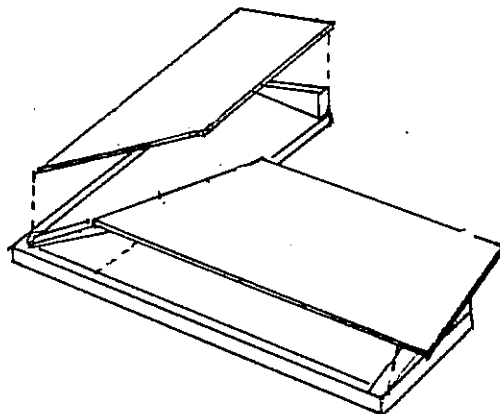
LEAVE THE SAME SPACE ON ENDS



D. 2



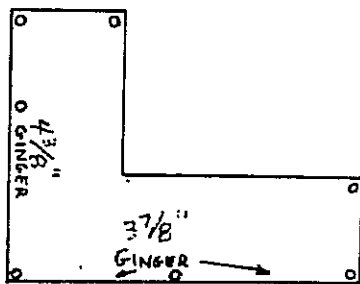
VIEW FROM TOP



WRAPAROUND PORCH COLUMN ARRANGEMENT

E. 1.

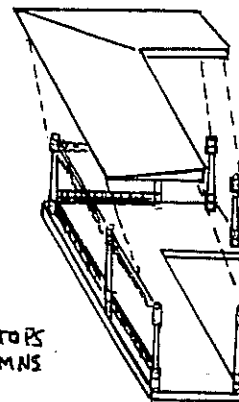
VIEW FROM TOP



GINGERBREAD ARRANGEMENT

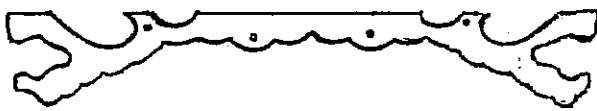
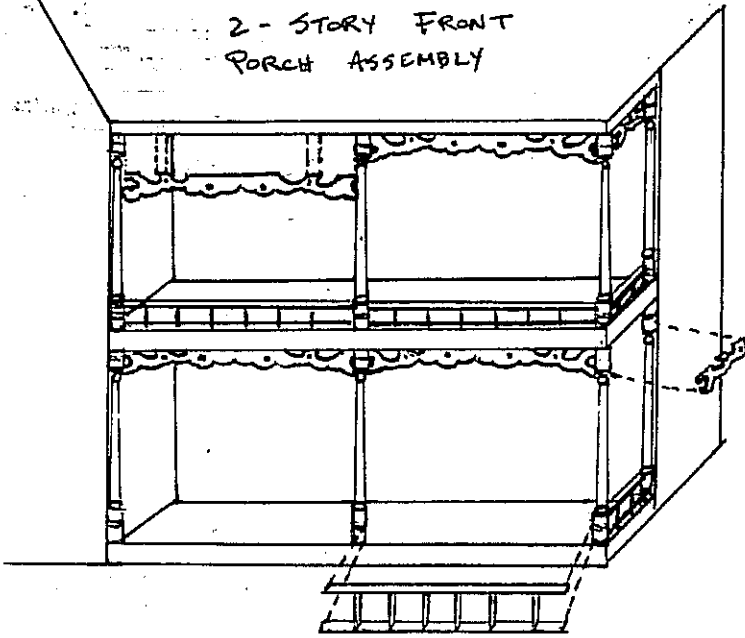
E. 2.

F.  
GLUE TOPS OF COLUMNS

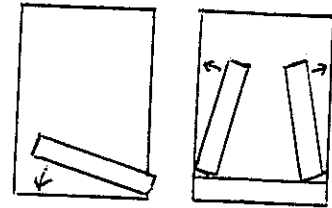


# SECTION XII

2-STORY FRONT PORCH ASSEMBLY

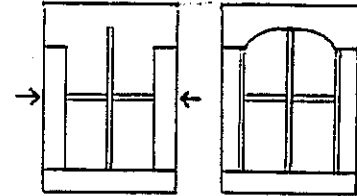


# SECTION XIII



A.

B.



C.

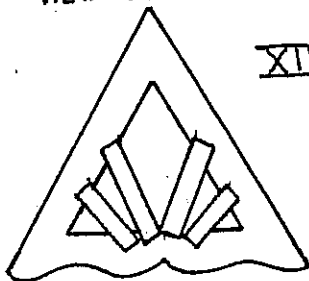
D.

# SECTION XIV

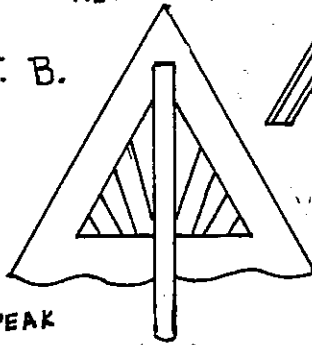
CROSS-SECTION  
EAVE MOULDING

VIEW FROM BACK

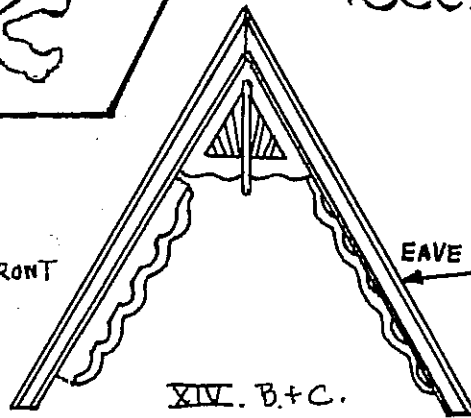
VIEW FROM FRONT



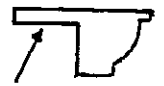
XIV. B.



XIV. B.+C.



EAVE MOULDING



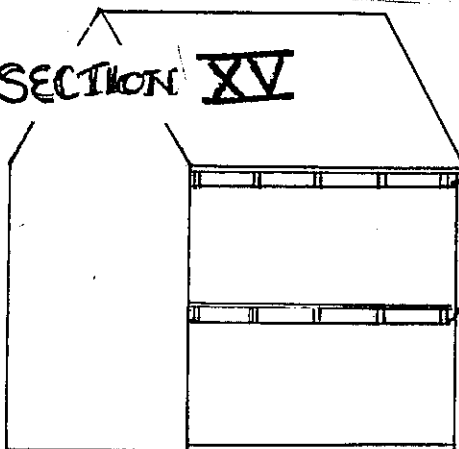
THIS EDGE  
FITS OVER ROOF  
PANEL

XIV. A.

GABLE GINGERBREAD PEAK

# SECTION XVI

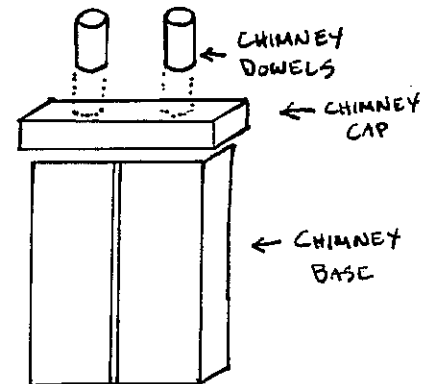
# SECTION XV



TOP LEDGE  
MOULDING

BRACKETS

SIDE VIEW OF BRACKET



CHIMNEY  
DOWELS

CHIMNEY  
CAP

CHIMNEY  
BASE